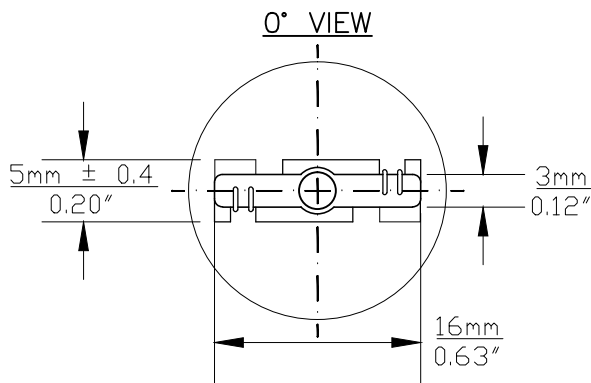
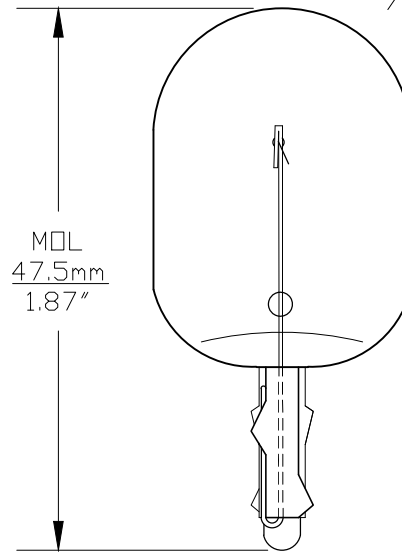
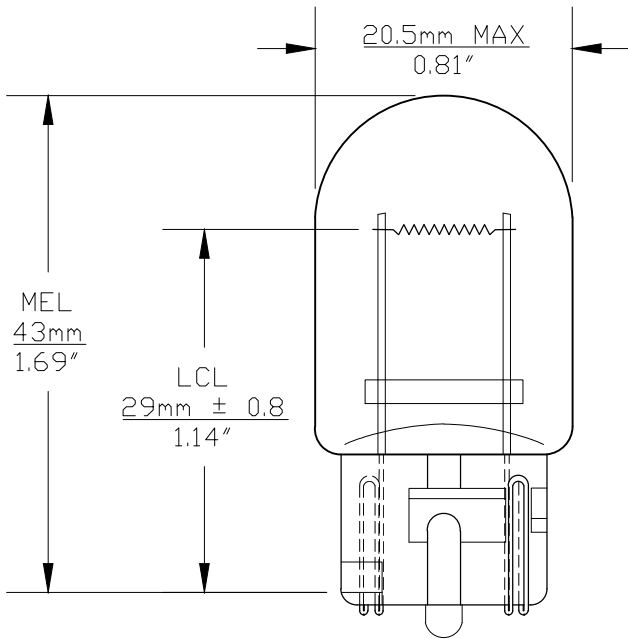


T-6 1/2 (ECE T-20)
BULB SHAPE
Clear Glass



BASE BOTTOM VIEW

Stop

Part no.: HMT2001CL

7440 T20 12V21W clear

Cap: W3x16d

C-6

ECE R37: E4

DOT: none

Made in Taiwan

all dimensions in mm

| Photometric values | |
|--------------------|-------------|
| Test voltage | 13.5V DC |
| Current | 1,85 A ±6% |
| POWER | 25 W ±6% |
| MSCD | 460 lm ±15% |
| Reliability | |
| Life test voltage | 13.5V DC |
| Life : Average | 300 h |